

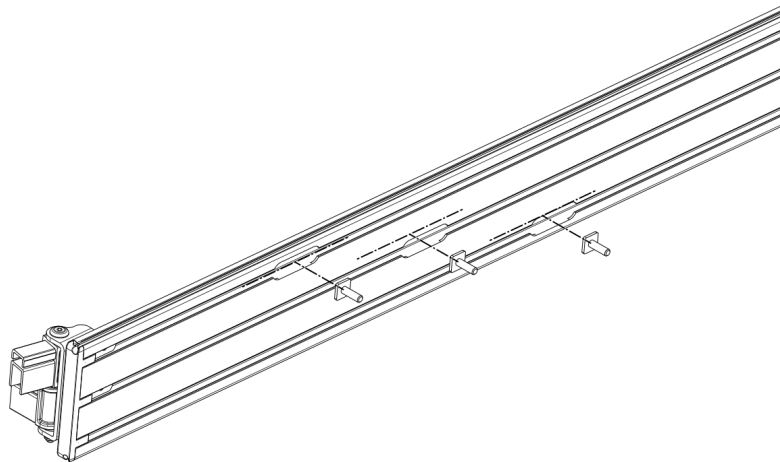
MARS™ Basecamp Side Awning

Installation Instructions

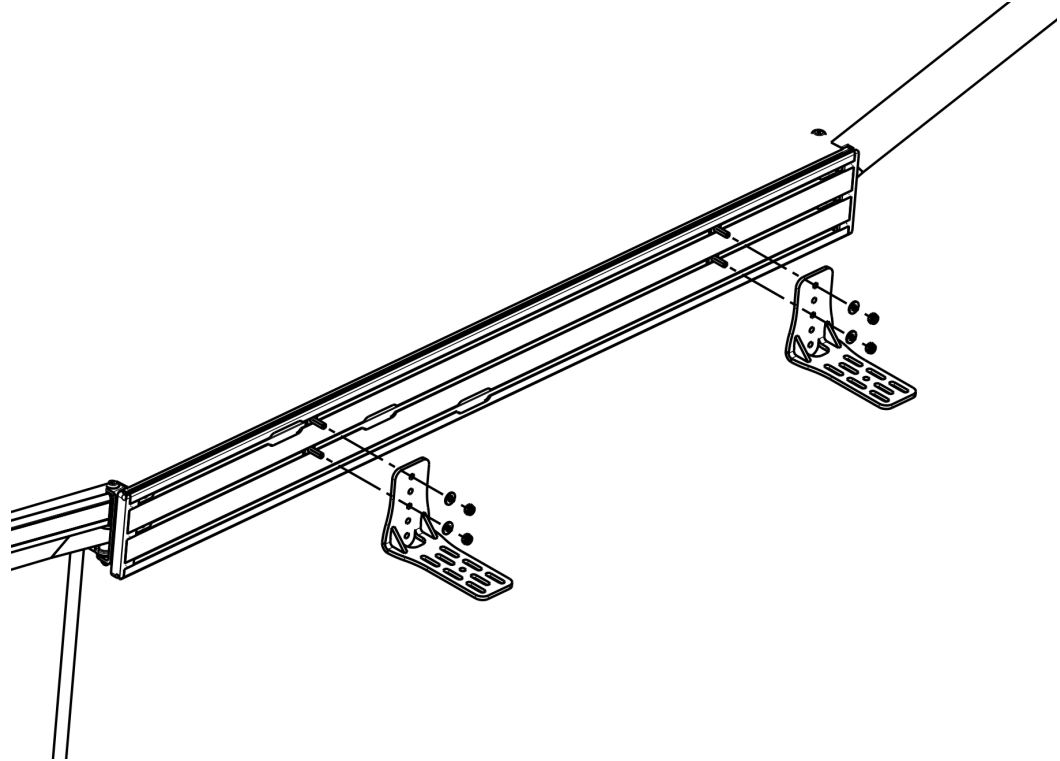
1. Installing Awning with the expedition rack system

- a. Install the **large** T-slot bolts onto the back side of the awning

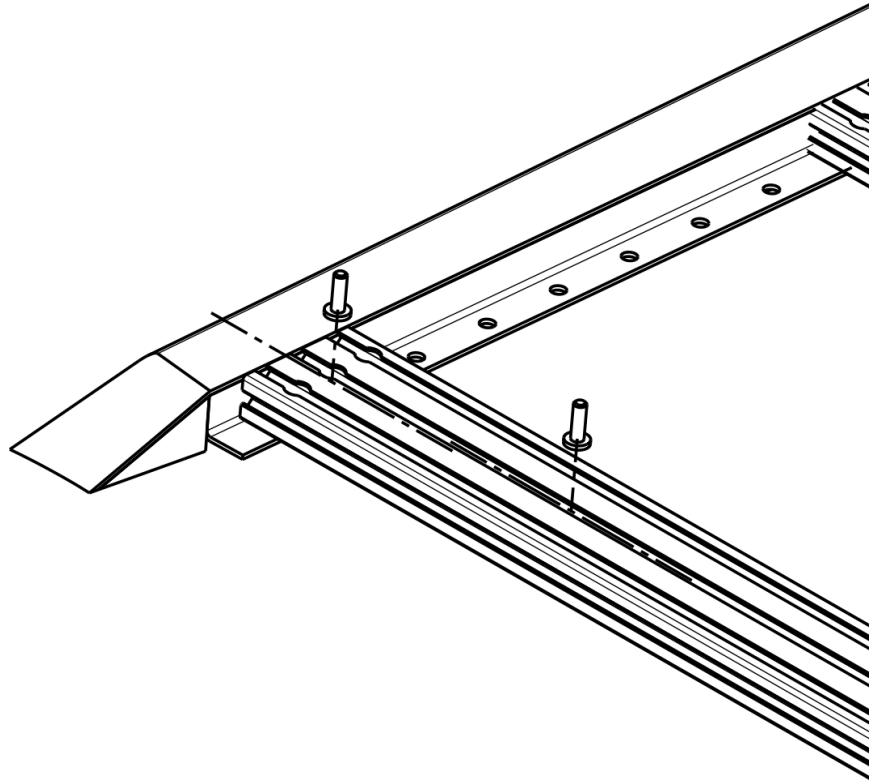
NOTE: You only really need to install t-slot bolts for any 2 out of 3 rails for each bracket (the diagram below is showing 3 t-slot bolts for illustration purpose only)



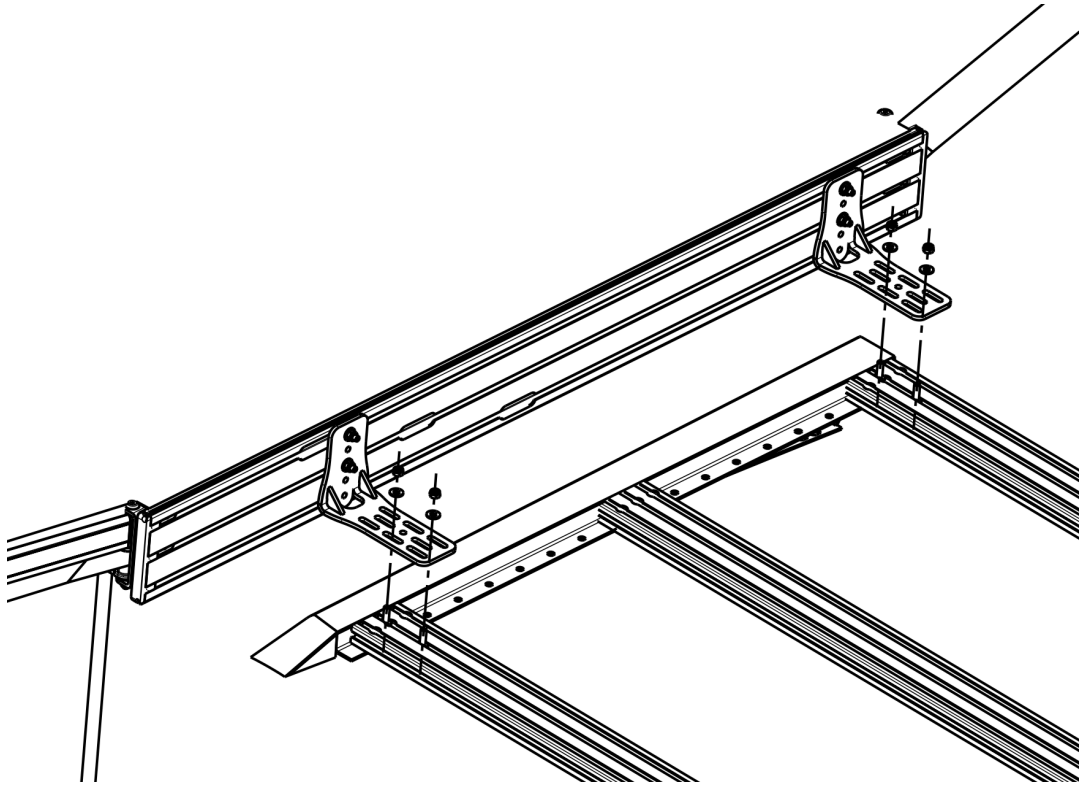
- b. Attach the bracket to the t-slot bolt with washer and nut - do not fully tighten them yet. Make sure the brackets can still slide back and forth.



c. Drop the **small** t-slot bolts into the rail.



d. Now take the awning + bracket assembly and try to line up with the small t-slot bolts in the crossbar. Once seated, adjust the awning position by moving forward or backward as you like (we recommend centering it). After moving it to the final position, tighten down everything securely.



2. Installing Awning with the expedition crossbar system

